

Project:

DLED-45 SERIES SPECIFICATION SHEET

Aria LED Post Light with Dual Lenses

Date:

Cat. No: DLED-45 _____ + _____ + _____

Type:

Fixture Description:

The Aria LED Post Light is an elegant contemporary accent light that provides a striking visual image. It uses an energy efficient wet location LED light source.

Construction:

Intersecting acrylic and extruded aluminum panels create the Aria Post light form. The LED light channel is encased inside a wet location mounting tube that provides the light source.

3. Electrical:

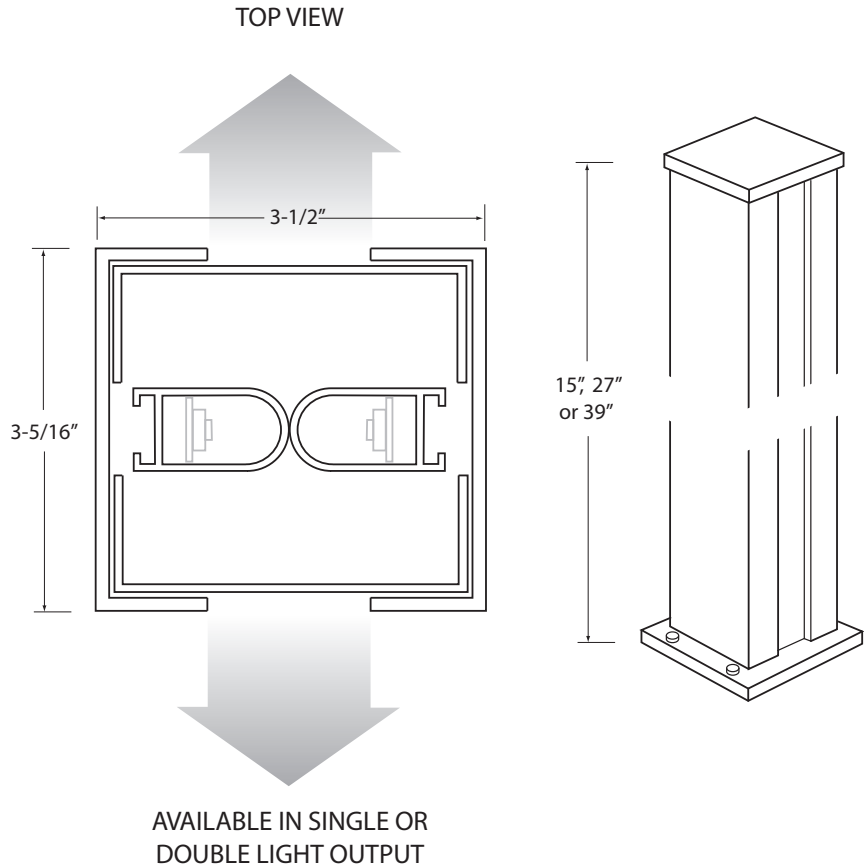
24 Volts AC. 2.5W (X2) per foot. Color temp: 2700K, 3000K, 6500K.

NOTE: Fixtures are to be fed from Class II magnetic transformers.

3 year warranty.

Options:

Dual light output standard. Single light output optional.



Model No.	Length	Double or Single Light	Finish	Color Temp.	
DLED-45	15", 27", 39"	DBL (2 - LED strips) SGL (1 - LED strip)	SA	Satin Aluminum Clear Coat	2700K
			BA	Bronze Aluminum	3000K
			BL	Black	
			RB	Rust Brown	6500K
			WH	White	